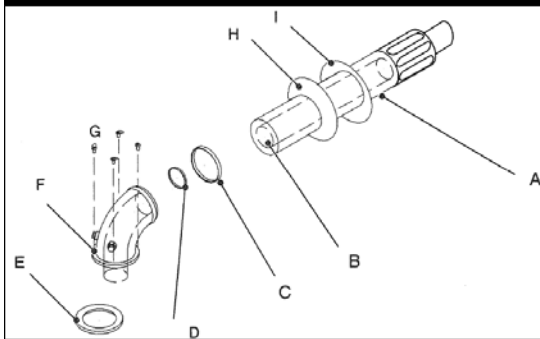


BIASI RIVA VENTING REFERENCE CARD

CONCENTRIC KIT



CONCENTRIC RESTRICTOR CHART

Condensing		Non Condensing	
0 to 2.9 (ft)	#82	1.65 to 3.30 (ft)	#41
2.9 to 9 (ft)	No	3.30 to 9 (ft)	#44
		9 to 14 (ft)	No

Condensing

**Part # - RI PLUS VC
999.0387**

- Kit parts:**
- Appliance adapter elbow
 - 39" termination pipe
- Kit Length** - 3.3 feet equivalent
Max Length - 9 feet equivalent

Extension - RI PLUS VC EXT

-
- Part# - 999.0388
 - 3.3' long

90° elbow - RI PLUS VC 90

-
- Part# - 999.0390
 - Equivalent length = 3.3'
 - M x F

45° elbow - RI PLUS VC 45

-
- Part# - 999.0391
 - Equivalent length = 1.6'
 - M x F

Non Condensing

**Part # - RI VC
999.0148**

- Kit parts:**
- Appliance adapter elbow
 - 39" termination pipe
- Kit Length** - 3.3 feet equivalent
Max Length - 14 feet equivalent

Extension - RI VC EXT

-
- Part# - 999.0149
 - 3.3' long

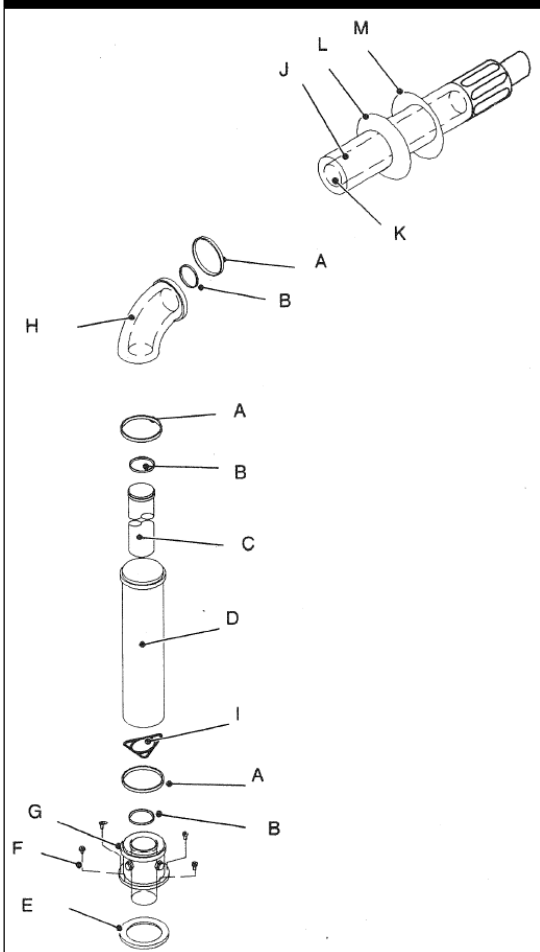
90° elbow - RI VC 90

-
- Part# - 999.0152
 - Equivalent length = 3.3'
 - M x F

45° elbow - RI VC 45

-
- Part# - 999.0153
 - Equivalent length = 1.6'
 - M x F

CONCENTRIC RISER KIT



Condensing

**Part # - RI PLUS VC RISER
999.0389**

- Kit parts:**
- Appliance adapter
 - 18" riser pipe
 - M x F elbow
 - 39" termination pipe
- Kit Length** - 4.8 feet equivalent
Max Length - 9 feet equivalent

Extension - RI PLUS VC EXT

-
- Part# - 999.0388
 - 3.3' long

90° elbow - RI PLUS VC 90

-
- Part# - 999.0390
 - Equivalent length = 3.3'
 - M x F

45° elbow - RI PLUS VC 45

-
- Part# - 999.0391
 - Equivalent length = 1.6'
 - M x F

Non Condensing

**Part # - RI VC RISER
999.0322**

- Kit parts:**
- Appliance adapter
 - 18" riser pipe
 - M x F elbow
 - 39" termination pipe
- Kit Length** - 4.8 feet equivalent
Max Length - 14 feet equivalent

Extension - RI VC EXT

-
- Part# - 999.0149
 - 3.3' long

90° elbow - RI VC 90

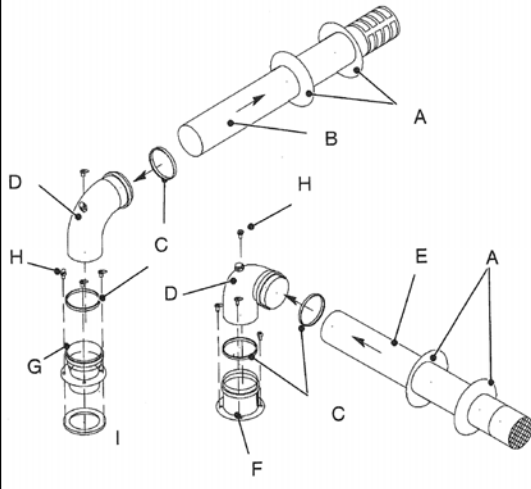
-
- Part# - 999.0152
 - Equivalent length = 3.3'
 - M x F

45° elbow - RI VC 45

-
- Part# - 999.0153
 - Equivalent length = 1.6'
 - M x F

BIASI RIVA VENTING REFERENCE CARD

SEPARATE VENT KIT



SEPARATE RESTRICTOR CHART

Condensing		Non Condensing	
3.3 to 49.2 (ft) (in + out)	#45	0 to 3.3 (ft) (in + out)	#38
		3.3 to 39.4 (ft) (in + out)	#41

Condensing

Part # - RI PLUS VS
999.0393

Kit parts:

- Appliance adapter collar (2)
- M x F elbow (2)
- 39" termination pipe
- 39" intake pipe

Kit Length - 6.6 feet equivalent
(intake and exhaust)

Max Length - 49 feet equivalent

Extension - RI PLUS VS EXT

- Part# - 999.0394
- 3.3' long

90° elbow - RI PLUS VS 90

- Part# - 999.0395
- Equivalent length = 3.3'
- M x F

45° elbow - RI PLUS VS 45

- Part# - 999.0396
- Equivalent length = 1.6'
- M x F

Non Condensing

Part # - RI VS
899.0016

Kit parts:

- Appliance adapter collar (2)
- M x F elbow (2)
- 39" termination pipe
- 39" intake pipe

Kit Length - 6.6 feet equivalent
(intake and exhaust)

Max Length - 99 feet equivalent

Extension - RI VS EXT

- Part# - 999.0159
- 3.3' long

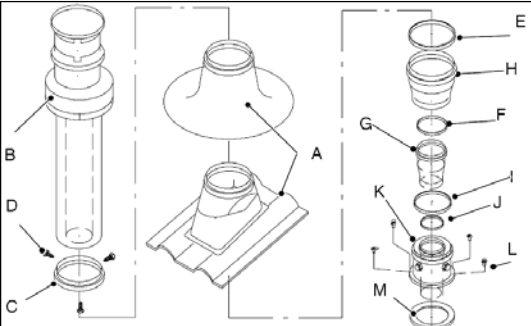
90° elbow - RI VS 90

- Equivalent length = 3.3'
- M x F - 999.0178
- F x F - 999.0160

45° elbow - RI VS 45

- Part# - 999.0162
- Equivalent length = 1.6'
- M x F

ROOF VENT KIT



Condensing

Part # - RI PLUS RV
999.0392

Kit parts:

- Appliance adapter collar
- Vent pipe increaser
- 46" Termination

Max Length - 29 feet equivalent

Extension - RI PLUS RV EXT

- Part# - 999.0407
- 3.3' long

90° elbow - RI PLUS RV 90

- Part# - 999.0408
- Equivalent length = 3.3'
- M x F

45° elbow - RI PLUS RV 45

- Part# - 999.0409
- Equivalent length = 1.6'
- M x F

Non Condensing

Part # - RI RV
999.0251

Kit parts:

- Appliance adapter collar
- Vent pipe increaser
- 46" Termination

Max Length - 29 feet equivalent

Extension - RI RV EXT

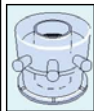
- Part# - 999.0242
- 3.3' long

90° elbow - RI RV 90

- Part# - 999.0256
- Equivalent length = 3.3'
- M x F

45° elbow - RI RV 45

- Part# - 999.0255
- Equivalent length = 1.6'
- M x F



Condensate collector - RI RV CC

Part# - 999.0275

For non condensing boiler installations with over 9 vertical feet of vent ONLY.



Condensate siphon - RI RV CS

Part# - 999.0276

For non condensing boilers where condensate collector is used ONLY.



Flat flashing kit - RI RV FF

Part# - 999.0280

Flat roof flashing kit for condensing and non condensing boilers



Pitched flashing kit - RI RV PF

Part# - 999.0252

Pitched roof flashing kit for condensing and non condensing boilers